



metis[®]
KITCHEN SURFACES



CARYSIL
SURFACES

solid surfaces for the kitchen



15mm slimline solid surfaces for the kitchen

Ultra-thin, **metis**® 15mm slimline solid surfaces are designed perfectly to offer style and efficiency in the kitchen due to their slender build and shape. In addition, affordable and on-trend ultra-thin design statements can be achieved easily without the need for bespoke templating.

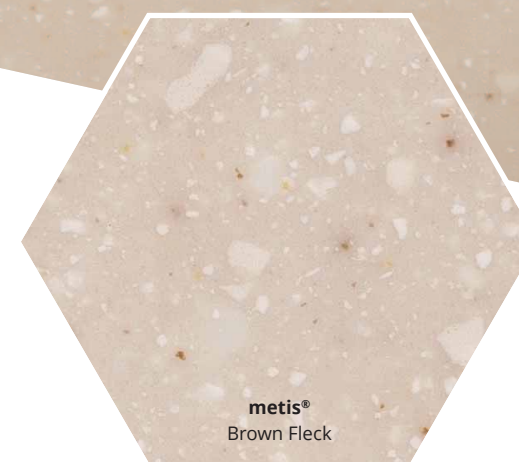
metis® 15mm slimline solid surfaces place the kitchen at the heart of every home.

Slender in both design and shape

metis® 15mm slimline solid surfaces reflect the growing popularity of contemporary and transitional kitchen designs. By incorporating ultra-thin surfaces, kitchen designers can achieve on-trend slimline styling to maximise their design statement.

Square profile factory finished edges, ready for fitting

The square 1mm profile factory finished edges come as standard and gives **metis**® slimline solid surfaces a distinctively modern look and feel.



metis®
Brown Fleck

Pre-fabricated, ready to fit, quicker to fit

Ready to fit on-site, **metis**® slimline solid surfaces are delivered in standard sizes with all working surfaces and edges factory machined and finished, saving you both time and money on your installation. In addition, sweeping curves can easily be cut and finished on-site.

Seamless joints for a continuous finish

There is no compromising with the **metis**® Jointing Kit that uses a tried and tested method so that seamless joints are both effortless and easy to achieve.

Décor range

Available in eight décors that have been selected to complement almost every traditional or contemporary kitchen design, **metis**® 15mm slimline solid surfaces are both robust and easy to clean, giving you complete peace of mind with their superb performance and quality.

When you choose **metis**® slimline solid surfaces you do so secure in the knowledge that you are buying a proven, reliable product. **metis**® slimline solid surfaces are truly at the forefront of modern surface technology.

Our Customer Care department is on hand to offer you help, support and advice all year round.

Call +44 (0) 1773 521 300.



metis®
White



metis®
White Fleck



metis®
Sand



metis®
Brown Fleck



metis®
Ice



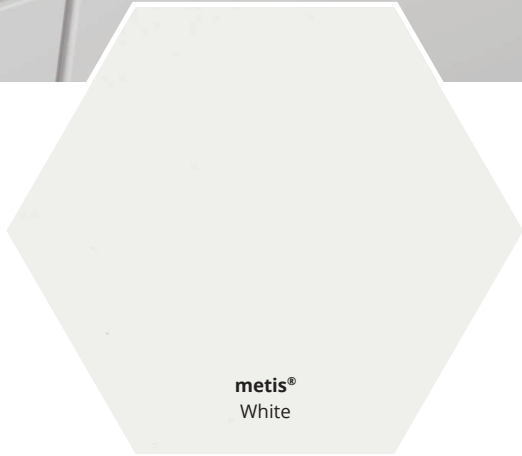
metis®
Light Grey



metis®
Dark Grey



metis®
Black

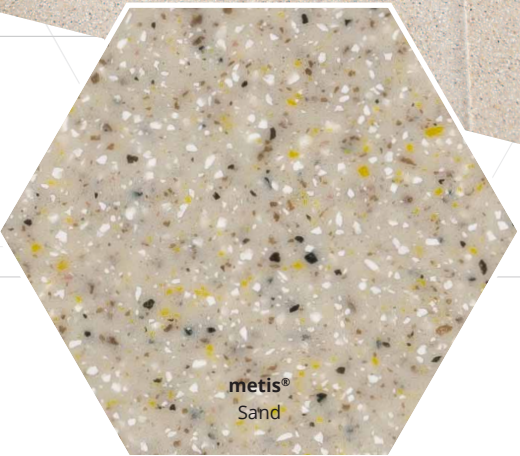


metis®
White

Sink Modules

A carefully curated selection of stainless steel bowls is used in our **metis®** sink module offering. Each unit is factory prepared and supplied with the bowl or bowls packaged separately for a simple on site installation. We machine the cut out and drainer grooves and prepare all fixings to make highly desirable undermount sinks an affordable addition to your kitchen plans.

Taps shown can be found in the Carysil Products range, visit carysil.co.uk



metis®
Sand



metis®
Ice

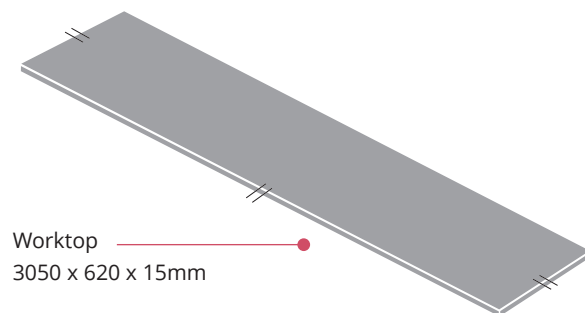


Tap shown can be found in the Carysil Products range, visit carysil.co.uk

metis®
Dark Grey

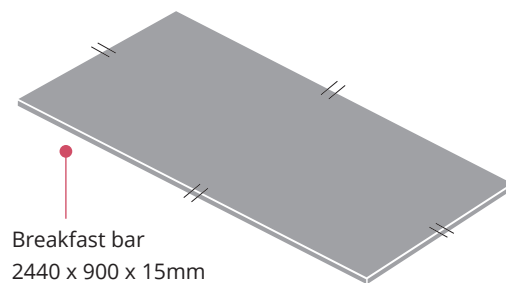


Selection Guide

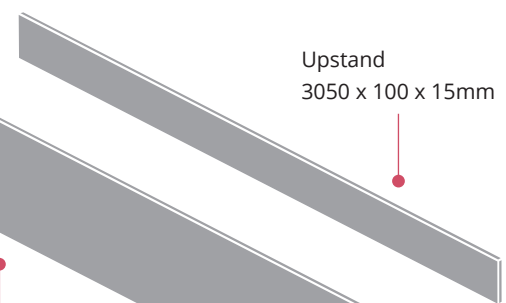


Worktop
3050 x 620 x 15mm

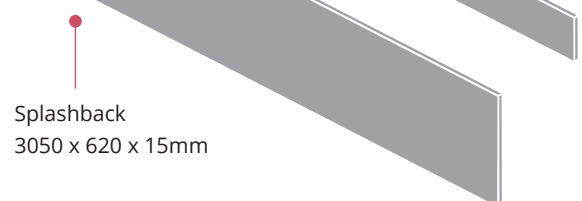
Factory finished edge



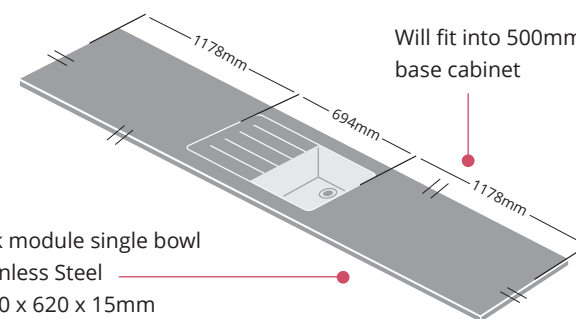
Breakfast bar
2440 x 900 x 15mm



Upstand
3050 x 100 x 15mm

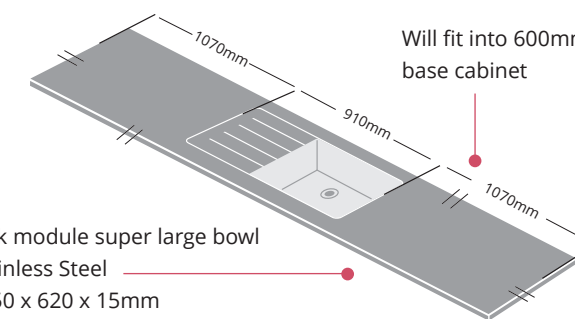


Splashback
3050 x 620 x 15mm



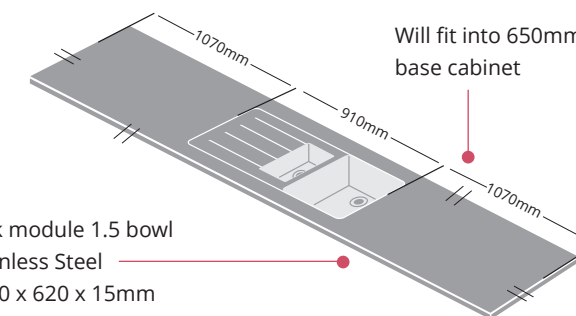
Sink module single bowl
Stainless Steel
3050 x 620 x 15mm

Will fit into 500mm
base cabinet



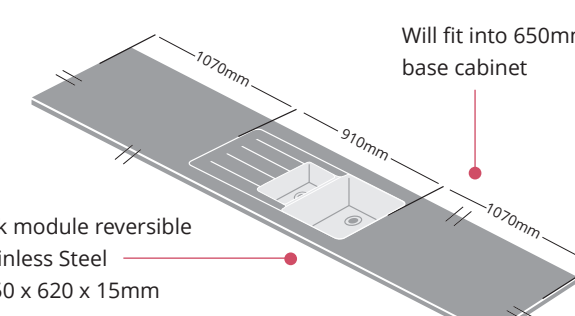
Sink module super large bowl
Stainless Steel
3050 x 620 x 15mm

Will fit into 600mm
base cabinet



Sink module 1.5 bowl
Stainless Steel
3050 x 620 x 15mm

Will fit into 650mm+
base cabinet



Sink module reversible
Stainless Steel
3050 x 620 x 15mm

Will fit into 650mm+
base cabinet

metis® 15mm slimline solid surfaces - making life in the kitchen a daily pleasure



10 year manufacturing guarantee*

metis® slimline solid surfaces come with a 10 year manufacturing guarantee provided the surface has been installed in accordance with the installation instructions and the surfaces have been used for their intended purpose. In addition, metis® slimline solid surfaces have been awarded the FIRA Gold Award for product excellence which ensures all surfaces are manufactured to the highest standard with the most superior materials.

Routine cleaning

metis® slimline solid surfaces do not require any specialist cleaning regimes, most dirt and light residue will easily wipe off with a damp cloth and soapy water. The surface should then be rinsed with clean water and wiped dry. Persistent marks can be removed by using a mild abrasive cleaner, but harsh scouring powders should be avoided. If in doubt, consult the 'Care and Maintenance' manual.

Heat

metis® slimline solid surfaces will withstand heat better than many alternative surface materials. However, all hot pots, pans and other heat generating devices should always be placed on a trivet or worktop protector rods to prevent extreme heat having prolonged and direct contact with the surface. Boiling water and cooking splashes do not harm the surface.

Staining

metis® slimline solid surfaces, unlike marble and granite, are not porous and will resist most household chemicals including alcohol and cosmetics. However, some chemicals and strong dyes can cause damage and discolouration. If spillage occurs, wipe off immediately and rinse area thoroughly.

Installation

metis® slimline solid surfaces can easily be cut on-site ready for jointing using standard woodworking tools and equipment. As with other slimline surfaces, consideration may be needed with some hobs where the hob depth affects the use of cabinets and drawers beneath. Use of a built in oven beneath a hob may require adaptation to the cabinet in order to allow sufficient clearance between appliances.

Minor scratching

Kitchen utensils and crockery (particularly the unglazed bases) can sometimes cause scratches that will be more evident on darker colours. The surface can be damaged by scratching or cutting with knives, so the use of a cutting board is essential. Any minor scratches can be removed easily using the grey abrasive pad and other items from the metis® Care Kit. Please refer to the 'Care and Maintenance' manual.

metis® Care Kit

To help maintain your metis® slimline solid surfaces, a metis® Care Kit is available from your retailer. This Care Kit contains all you need to make minor repairs to the surface including a special countertop cleaner that helps to maintain, protect and build up lustre, particularly on darker colours.



metis® Jointing Kit
Kit contains:
1 x 75ml adhesive sachet
2 x isopropyl alcohol wipes
6 x mdf blocks
3 grades of sandpaper
1 x grey abrasive pad
1 x care & installation leaflet



metis® Adhesive 75ml sachet
Kit contains:
1 x 75ml adhesive sachet
1 x isopropyl alcohol wipe



metis® Care Kit
Kit contains:
1 x 414ml countertop cleaner
1 x 320 grit sanding disc
1 x grey abrasive pad
1 x ergonomic foam sanding pad
1 x microfibre cloth
1 x instruction leaflet

*Guarantee covers manufacturing not installation.



metis®
White

CARYSIL

SURFACES

Carysil Surfaces Limited
Azalea Close Clover Nook Industrial Park
Alfreton Derbyshire DE55 4QX
United Kingdom

t: +44 (0) 1773 521 300
e sales@metisworksurfaces.co.uk
www.metisworksurfaces.co.uk

metis® is a registered trademark of Carysil Surfaces Limited. Copyright ©Carysil Surfaces Limited 2023
Disclaimer: Colours are as accurate as the printing allows.
As part of a process of on-going innovation, we reserve the right to change specifications without prior notice.

1043990